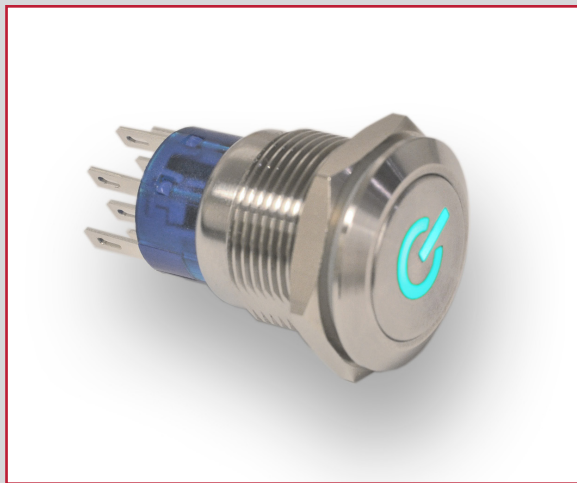
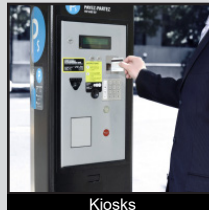


ULV4 SERIES ANTI-VANDAL SWITCH

ANTI-VANDAL SWITCHES
 DETECTOR SWITCHES
 DIP SWITCHES
 KEYLOCK SWITCHES
 NAVIGATION SWITCHES
 PUSHBUTTON SWITCHES
 ROCKER SWITCHES
 ROTARY SWITCHES
 SLIDE SWITCHES
 SNAP ACTION SWITCHES
 TACTILE SWITCHES
 TOGGLE SWITCHES
 CAP OPTIONS



APPLICATIONS / MARKETS



RoHS

SPECIFICATIONS

Electrical Rating: 3A, 125/250VAC
Mechanical Life: 1,000,000 cycles (momentary); 500,000 cycles (latching)
Electrical Life: 50,000 Cycles
Contact Resistance: 50mΩ
Insulation Resistance: 1000 MΩ @ 500VDC
Dielectric Strength: 2,000VAC
Operating/Storage Temperature: -20°C to 55°C
Travel: 3.2mm
Moisture Protection: IP67
Contact Arrangement: SPDT or DPDT
Actuation Force: Single Pole: 2.5N; Double Pole: 3.5N
Panel Thickness: 1-10mm
Hex Nut Torque: 5-14Nm
Mechanical Impact Protection: IK08
Agency Approvals: cURus

FEATURES & BENEFITS

- 19mm diameter panel cutout
- Dot or ring or power illumination options available
- Multiple switch functions available
- Multiple illumination voltage options
- IP67 rated
- SPDT or DPDT
- UL Certified
- Custom graphics available
- Soldered wire leads (300mm long) optional

PART NUMBER CONFIGURATOR

Series	Actuator	Terminal	Function	Body Finish	Actuator Finish	Contact Material	Lens Style	LED Color	Illumination Voltage
ULV4	F - Flat	2 - Solder W - Wire Leads 300mm long	3 - 1P ON-ON B - 1P ON-(ON)* G - 2P ON-ON H - 2P ON-(ON)*	N - Nickel Plated S - Stainless Steel 1 - Black Anodized	N - Nickel Plated S - Stainless Steel 1 - Black Anodized	None - Silver G - Gold	None - Non-Illuminated 2 - Dot Illumination 3 - Ring, moveable with actuator 5 - Power symbol	None - Non-Illuminated 0 - White 1 - Red 2 - Orange 3 - Green 4 - Blue 5 - Yellow G - Red / Green P - Green / Yellow	None - Non-Illuminated 1 - 3V 3 - 6V 4 - 12V 5 - 24V 6 - 110V 7 - 220V

NOTES:
 *() denotes function is momentary
 Call us for custom graphic options 800-867-2717

Specifications subject to change without notice 5.2.2019



E-SWITCH®

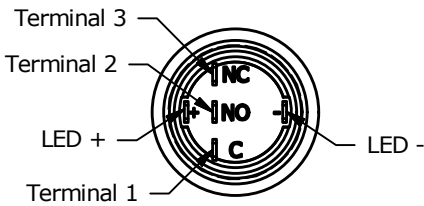
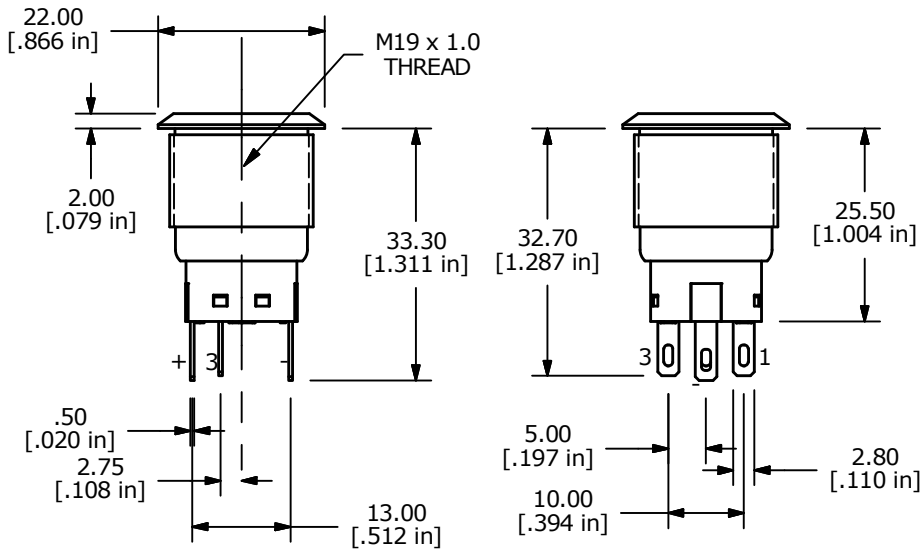
www.e-switch.com

800.867.2717

1

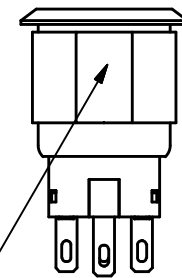
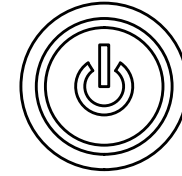
ULV4 SERIES ANTI-VANDAL SWITCH

BODY DIMENSIONS - SPDT

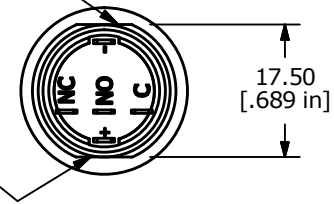


SPDT Illuminated Option Shown. The LED + and - terminals are not included on the non-illuminated options

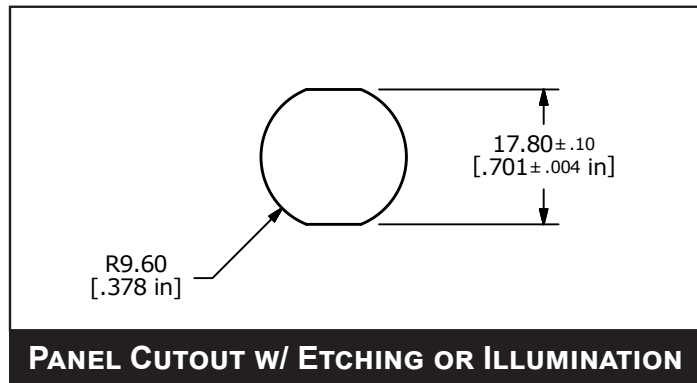
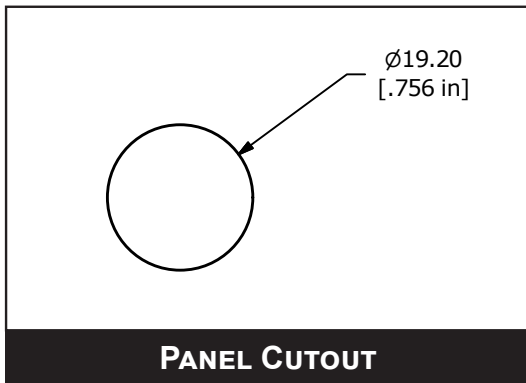
SPDT SWITCH DIMENSIONS



ORIENTATION FEATURE ON SWITCHES WITH GRAPHICS OR ILLUMINATED POWER SYMBOL



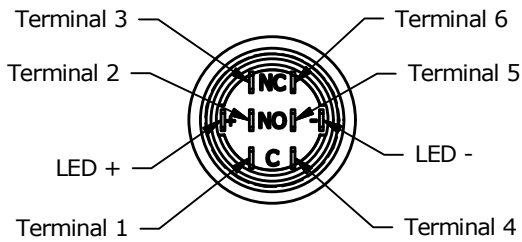
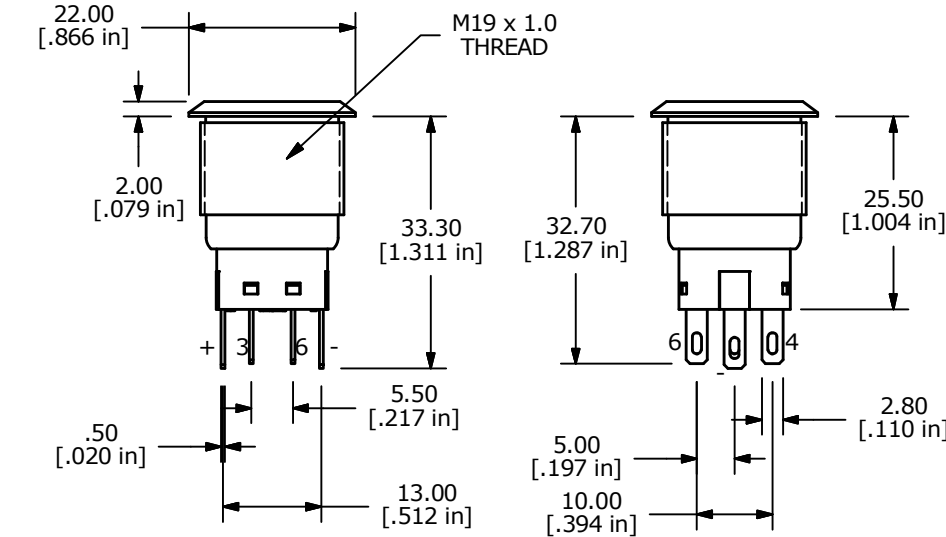
GRAPHIC OPTIONS



- ANTI-VANDAL SWITCHES
- DETECTOR SWITCHES
- DIP SWITCHES
- KEYLOCK SWITCHES
- NAVIGATION SWITCHES
- PUSHBUTTON SWITCHES
- ROCKER SWITCHES
- ROTARY SWITCHES
- SLIDE SWITCHES
- SNAP ACTION SWITCHES
- TACTILE SWITCHES
- TOGGLE SWITCHES
- CAP OPTIONS

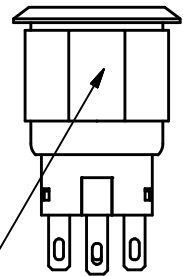
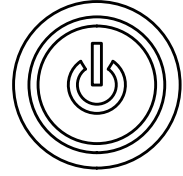
ULV4 SERIES ANTI-VANDAL SWITCH

BODY DIMENSIONS - DPDT

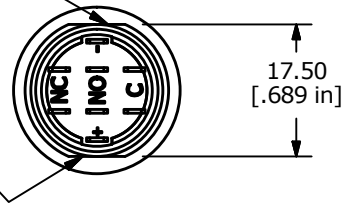


DPDT Illuminated Option Shown.
The LED + and - terminals are not included on the non-illuminated options

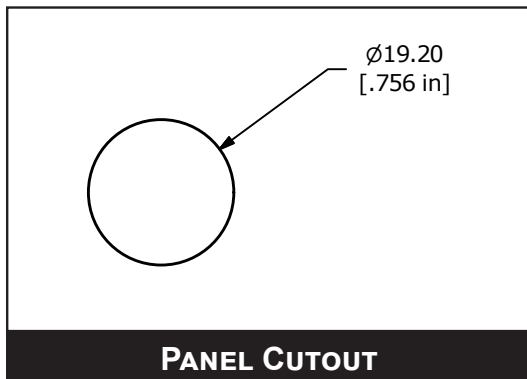
DPDT SWITCH DIMENSIONS



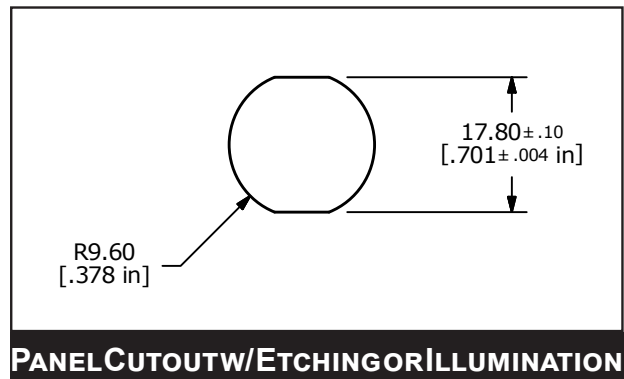
ORIENTATION FEATURE ON SWITCHES WITH GRAPHICS OR ILLUMINATED POWER SYMBOL



GRAPHIC OPTIONS



PANEL CUTOUT

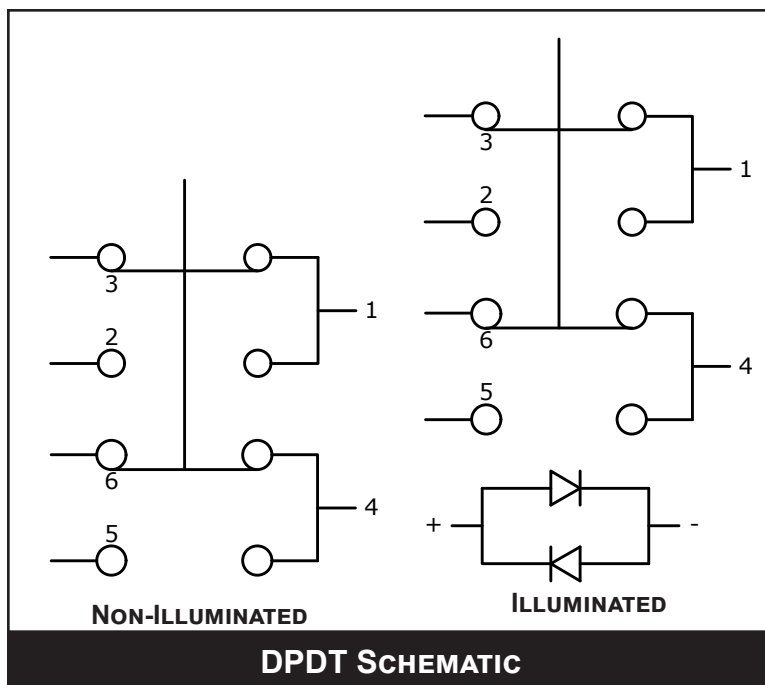
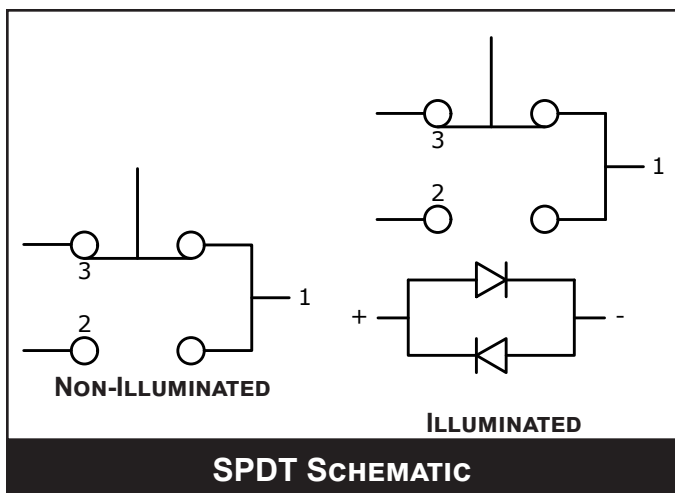


PANEL CUTOUT W/ETCHING OR ILLUMINATION

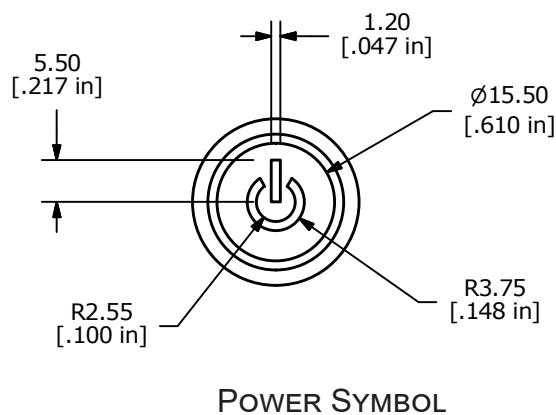
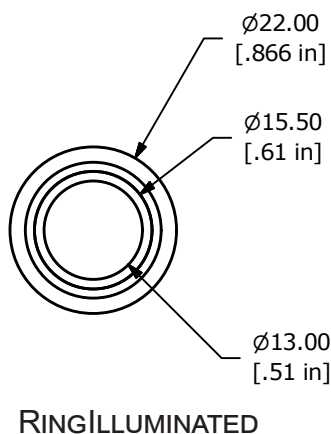
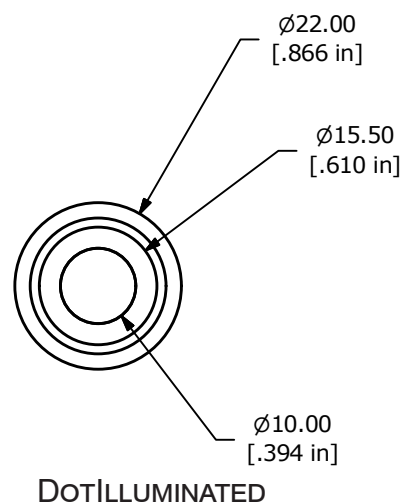
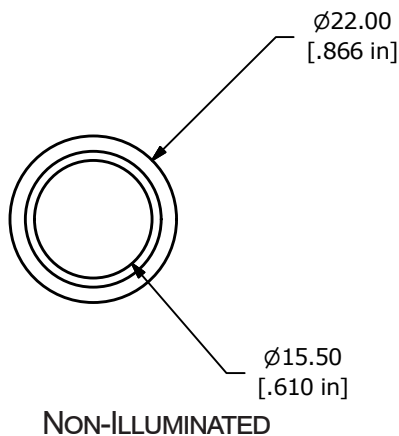


ULV4 SERIES ANTI-VANDAL SWITCH

SCHEMATICS



ACTUATOR OPTIONS



WIRE LEADS

SWITCH	WIRE	LENGTH
SW1-1	WIRE, 24AWG AWM UL1015, BLUE	300.0 [11.8 in]
SW1-2	WIRE, 24AWG AWM UL1015, PURPLE	300.0 [11.8 in]
SW1-3	WIRE, 24AWG AWM UL1015, GREEN	300.0 [11.8 in]
SW1-4	WIRE, 24AWG AWM UL1015, WHITE	300.0 [11.8 in]
SW1-5	WIRE, 24AWG AWM UL1015, ORANGE	300.0 [11.8 in]
SW1-6	WIRE, 24AWG AWM UL1015, YELLOW	300.0 [11.8 in]
SW1- (-)	WIRE, 24AWG AWM UL1015, BLACK	300.0 [11.8 in]
SW1- (+)	WIRE, 24AWG AWM UL1015, RED	300.0 [11.8 in]

** WIRE LEADS PROVIDED ARE DEPENDANT ON THE FUNCTION SELECTED **

